



D 100 AHA



www.ausa.com

AUSA Center, S.L. ● Ctra. de Vic, Km 2.8 - P.O.B. 194. 08243 Manresa - BARCELONA (ESPAÑA) Tel.: +34 93 874 73 11 - E-mail: ausa@ausa.com



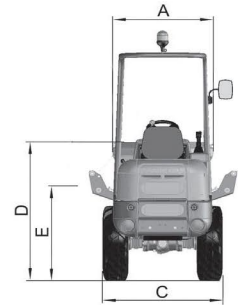
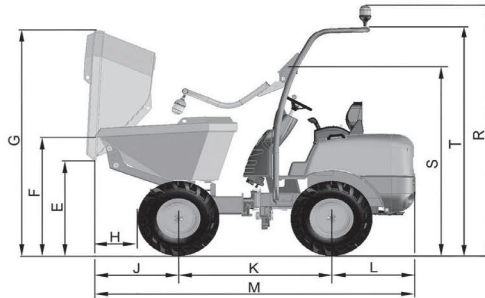
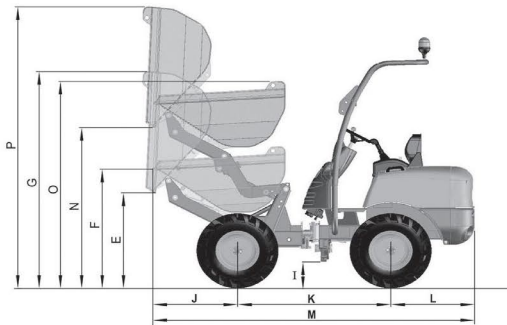
AUSA Madrid ● Pol. Ind. Coslada - C. Marconi 15-17. 28823 Coslada - MADRID (ESPAÑA) Tel.: +34 91 669 00 06 - E-mail: ausa.madrid@ausa.com
AUSA France ● Z. I. Saint Charles - Rue de Zürich, 66000 PERPIGNAN (FRANCE) Tel.: +33 (0) 4 68 54 38 97 - E-mail: ausa.france@ausa.com
AUSA Deutschland ● Heinrich - Welken Str. 5. 59069 HAMM (GERMANY) Tel.: +49 (0) 2384-9889905 - E-mail: ausa.deutschland@ausa.com
BEIJING Rep. Office ● Address Room 527. HengXiang Building, Tuanjieshu Nanli, Chaoyang District. - BEIJING 100026 (CHINA)
 Tel.: 86-10-8597 1983 - Fax: 86-10-8597 1993 - E-mail: ausa.china@ausa.com

AUSA UK ● Tel.: 07970639988 - E-mail: ausa.uk@ausa.com

(Sede central AUSA-Manresa)

D 100 AHA_1000 Kg

DIMENSIONS (mm)	
D 100 AHA	
A	990
B	-
C	1100 (1180, 1030, 990)
D	1440
E	935
F	1230
G	2235
H	485
I	220
J	822
K	1500
L	820
M	3142
N	1635
O	2135
P	2935
R	2605
S	1955
T	2375



TECHNICAL SPECIFICATIONS

		D 100 AHA
Load capacity (Kg)		1000 / 1200
Unloading system		Hydraulic tipping
Chassis		Articulated +/- 35° and oscillating +/- 13°
Hopper capacities (l)	Water	345 / 425
	Levelled	395 / 515
	Heaped	505 / 680
Engine		Kubota D1105
	Power acc./SAE J 1995 (KW/CV)	16,8 KW / 22,8 CV (2700 rpm)
	N° of Cylinders	3
	Cooling system	Water
Traction		4 x 4 permanent
Transmission		Hydrostatic with variable flow pump automatic regulation. Forward and reverse control on the joystick.
Engine starting system		Electric
Speed (max.) (Km/h)		15 / 17
Axles		Axles with planetary wheel reduction
Unladen weight (Kg)		1300 / 1375
Gradeability		38% / 48%
Hydraulic circuit		Gear pump of 8 cc. Pression de travail 170 bar. / 210 bar.
Tyres	Standard	27x8.50-15" / 10.0/75-15.3"
	Optional	11.0 / 65 - 12; 7.00-12; 6.5/80 (D 100 AHA)
External turning radius (mm)		3060
Steering		Hydraulic
Tank capacity (l)	Fuel	23
	Hydraulic fluid	21.2
Service and parking brake		Sealed oil-immersed, multidisc, mechanically operated
STANDARD EQUIPMENT		Anti vandal system Ergonomic with safety belt Joystick ROPS Rotating beacon Rear view mirror Audible reverse warning (Std. UK)